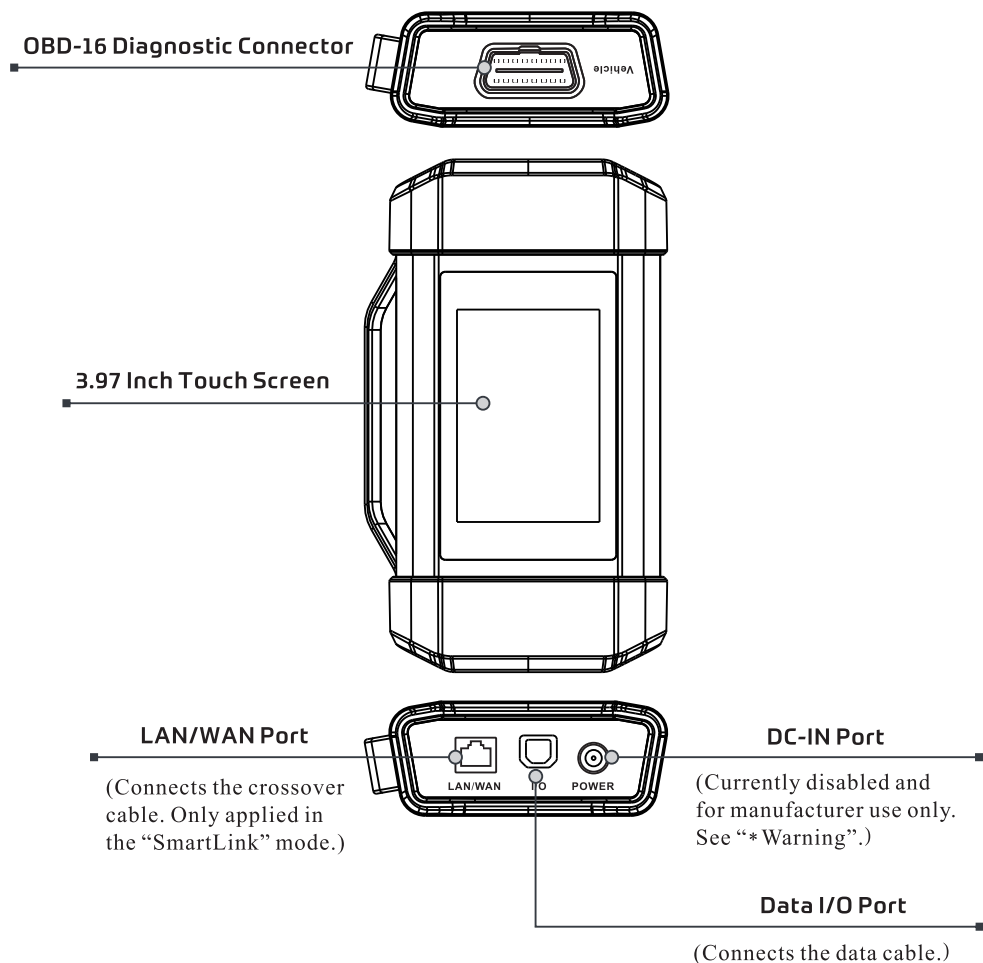


## Knowledge of SmartLink C Dongle

The SmartLink C dongle can work as a VCI (Vehicle Communication Interface) device, together with the LAUNCH-specific diagnostic tool, or as a SmartLink Customer device, requesting technical assistance from a master technician (SmartLink B).

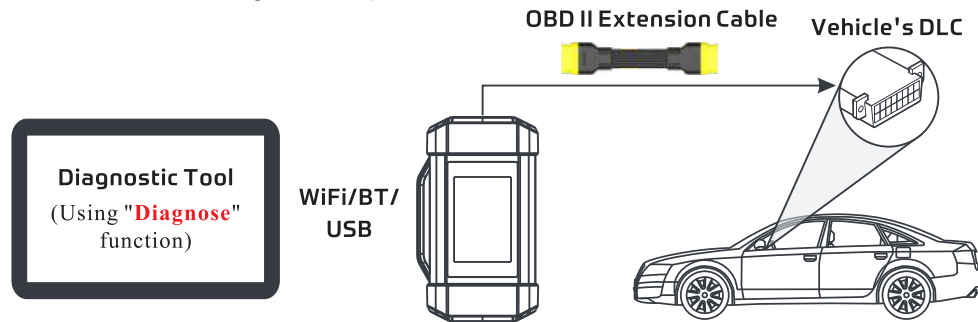


**\*Warning:** The SmartLink C dongle obtains power through the vehicle's DLC, and it is prohibited to connect to an external DC power supply. No responsibility can be assumed for any damage or loss caused as a result of not strictly following the above method.

The SmartLink C dongle can be applied in the following situations(\*For other application scenario, see User Manual):

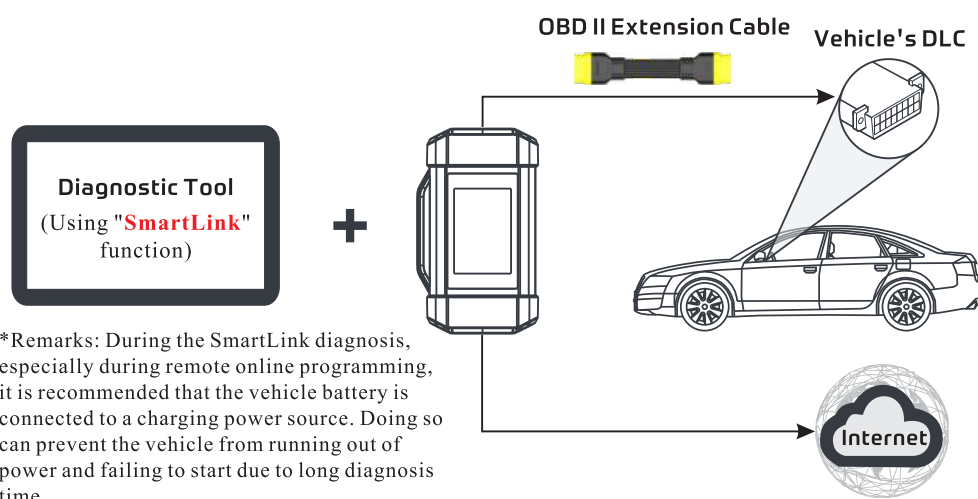
### 1. Works as a VCI device

In this mode, it needs to work in conjunction with the **Diagnose** module of the diagnostic tool, which is used to obtain vehicle data, and then send it to the diagnostic tool for analysis via WiFi / BT / USB communication (\*The available communication method depends on the hardware of the diagnostic tool).



### 2. Work as a SmartLink C(Customer) dongle (In the case of SmartLink Diag.)

It can be used if users need remote technical assistance from master technicians. In this mode, it does not communicate with the diagnostic tool, but it needs to work together with the **SmartLink** module of the diagnostic tool. The diagnostic tool is mainly used to issue remote diagnostic requests, and the SmartLink C dongle is networked to receive and execute commands from the remote SmartLink B (Business).



**\*Remarks:** During the SmartLink diagnosis, especially during remote online programming, it is recommended that the vehicle battery is connected to a charging power source. Doing so can prevent the vehicle from running out of power and failing to start due to long diagnosis time.

## Initial Use

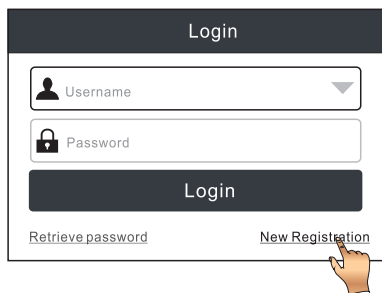
### 1 WLAN Setup

The tablet has built-in WLAN module that can be used to get online. Once you're online, you can register the tool, update diagnostic software & apk, surf the Internet and send email on your network.

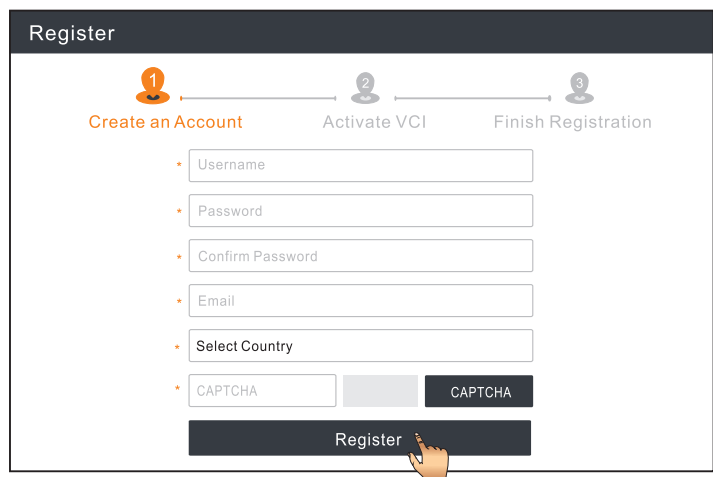
1. Tap on [Settings] on the home screen and then [WLAN] to configure WLAN setting.
2. Select the desired WLAN connection from the list (Password may be required for secured networks).
3. When "Connected" appears, it indicates that it is properly connected to the network.

### 2 Register & Update

1. **Launch App:** tap on the application icon on the home screen, and then tap on "Login" on the upper right corner of the screen. Tap "New Registration" to go to Step 2.

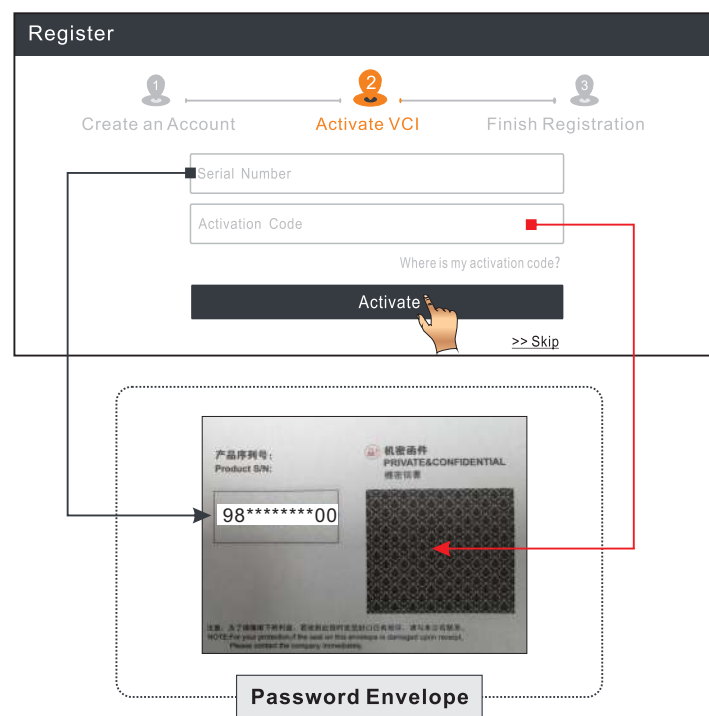


2. **Create an App Account:** Input the information (items with \* must be filled) and then tap on "Register."



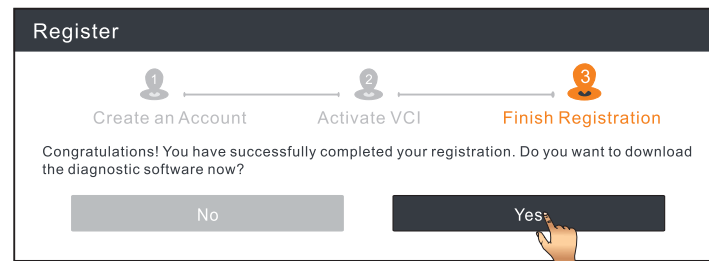
### 2 Register & Update (Continued)

3. **Activate VCI (SmartLink C):** Input the Product S/N and Activation Code (can be obtained from the included Password Envelope), and then tap on "Activate".



4. **Finish Registration & Download Diagnostic Software:** Tap on "Yes" to enter the vehicle software download screen. Tap on "Update" on the update page to start downloading. Once downloading finished, the software packages will be installed automatically.

**\*Note:** All software is updated periodically. It is recommended to check regularly for updates and install the latest software version for the best service and functions.



## 1 Preparation & Connection

### 1. Preparation

Before diagnosing, please make sure the following conditions are met:

- ✔ The ignition is turned on.
- ✔ The vehicle battery voltage range is 11-14Volts or 18-30Volts.

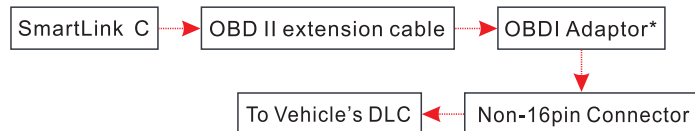
### 2. Locate the vehicle's DLC (Data Link Connector) port

For passenger cars, the DLC is typically a 16-pin connector where VCI dongle interfaces with the vehicle's on-board computer. It is usually located on driver's side, about 12 inches away from the center of dashboard.

For commercial vehicles, the DLC is always located in driver's cab.

### 3. Connection (For Passenger Car Edition)

- 1). **OBD II Vehicle Connection:** For vehicles equipped with OBD II diagnostic socket, connect the SmartLink C to vehicle's DLC directly via the diagnostic cable.
- 2). **Non-OBD II Vehicle Connection:** For non-OBD II vehicles, a non-16pin connector is required. Follow the below way to make connection:



\*Note: If the power supply on vehicle diagnostic socket is insufficient or the power pin is damaged, you can get power via either of the following ways:

- Via Battery clamps cable (optional):** Connect one end of the battery clamps cable to the power jack of the OBD I adaptor box, and the other end to the vehicle's battery.
- Via Cigarette lighter cable (optional):** Connect one end of the cigarette lighter cable to the power jack of the OBD I adaptor box, and the other end to the cigarette lighter receptacle.

### 3. Connection (For Commercial Vehicle/Diesel & Gasoline Edition)

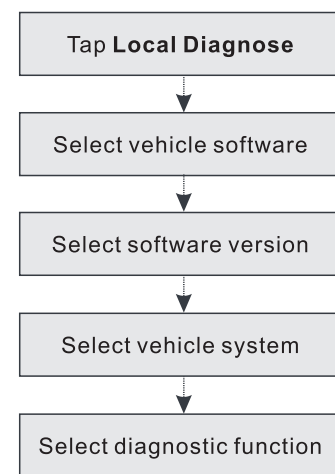
- 1). **OBD II Vehicle Connection:** For vehicles equipped with OBD II diagnostic socket, connect the SmartLink C to vehicle's DLC directly via the diagnostic cable.
- 2). **Non-OBD II Vehicle Connection:** For non-OBD II vehicles, a non-16pin adaptor cable is required. Follow the below way to make connection:



Notes: For commercial vehicles, refer to the above connection method to proceed.  
For passenger vehicles, replace the "Non-16pin Adaptor Cable" with "OBD I adaptor" + "non-16pin connector (for passenger car)". Other connections shall also apply.

## 2 Start Diagnostics

For new users, please follow the operation chart shown below to get familiar with and start using this tool.



\*If you choose "Intelligent Diag" to diagnose a vehicle, this flowchart shall not apply.

Notes:

- ✔ Before starting a diagnostic session, user needs to activate the VCI and download the corresponding diagnostic software. For detailed operations, please refer to "Initial use"- "Register & Update."
- ✔ All software is updated periodically. It is recommended to check regularly for updates and install the latest software version for the best service, functions and experience.

\*Note: Pictures illustrated here are for reference purpose only. Due to continuing improvements, actual product may differ slightly from the product described herein and this Quick Start Guide is subject to change without notice. For more detailed operations, please refer to the User Manual.

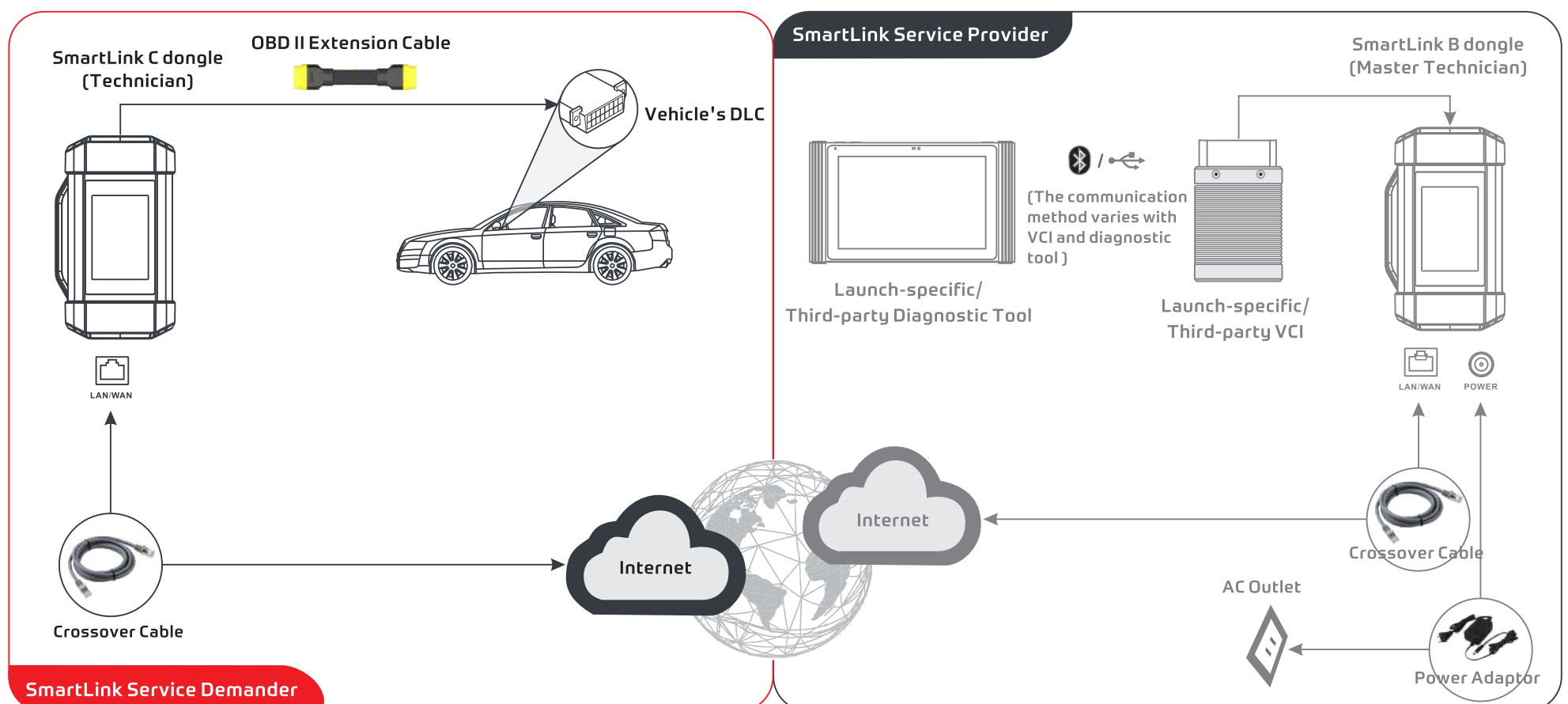
Statement:

LAUNCH owns the complete intellectual property rights for the software used by this product. For any reverse engineering or cracking actions against the software, LAUNCH will block the use of this product and reserve the right to pursue their legal liabilities.

The SmartLink system is powerful remote diagnostics solution developed by LAUNCH. The system consists of SmartLink C dongle (for technicians seeking a trusted second opinion and additional expertise on various vehicle issues), SmartLink Service Platform (for SmartLink C posting assistance request and SmartLink B accepting order) and SmartLink B dongle (for service provider or master technician). Follow the steps below to perform a SmartLink session.

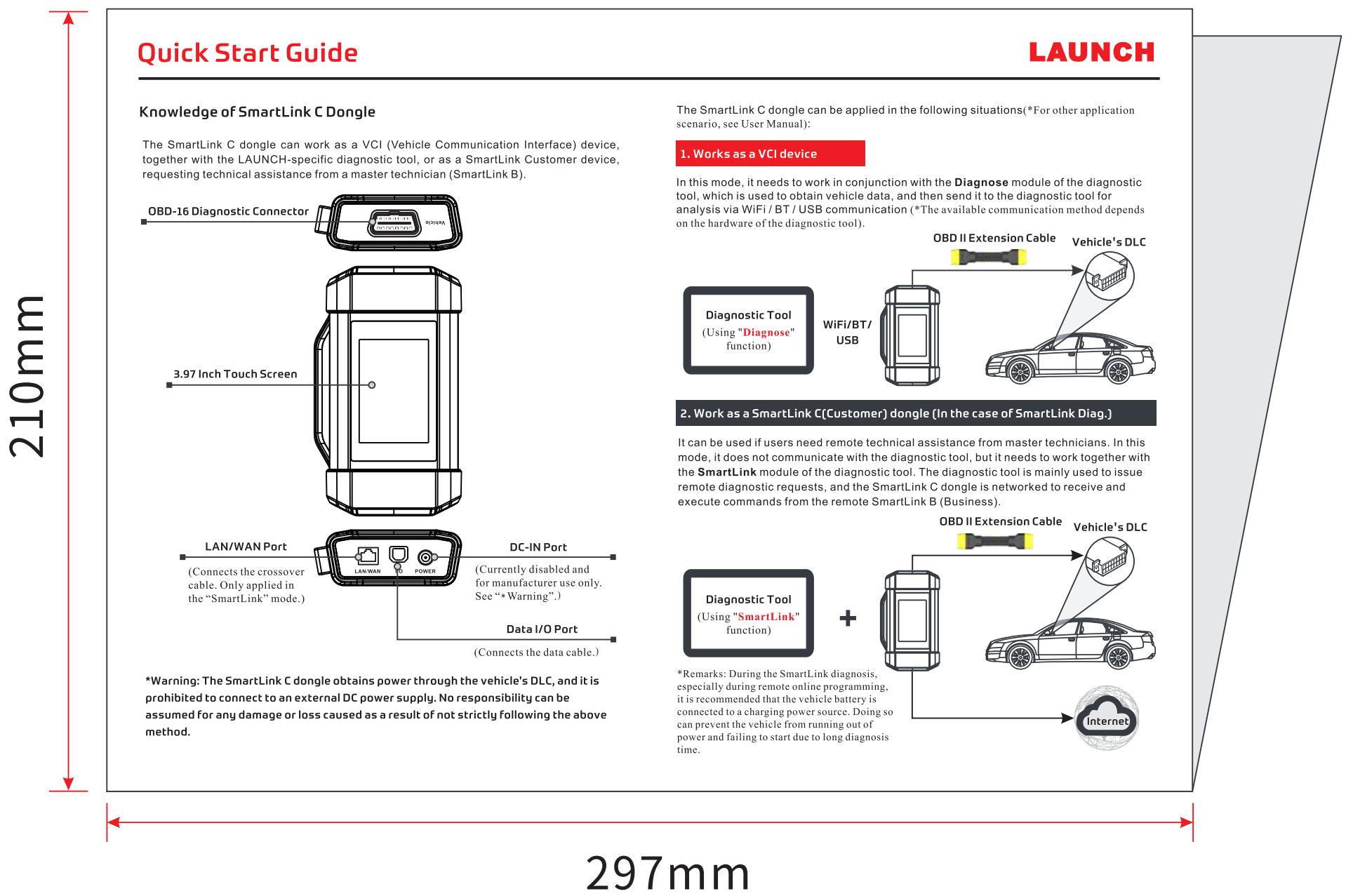
- ✔ **Post request** -- Bind the SmartLink C and post a remote diagnostics request in the SmartLink module (\*Only after the SmartLink C dongle is successfully bound can the request be posted).
- ✔ **Connection & setup** -- Connect the vehicle's DLC and crossover cable, and then set the SmartLink C as "Remote Diagnostics" mode.
- ✔ **Wait for partner's assistance** -- After the remote master technician accepts the order, he will provide professional technical service to you using the SmartLink B dongle (plus the compatible diagnostic tool).
- ✔ **Start Diagnostics** -- Turn on the ignition key and start the diagnosis. After the diagnostic session is completed, unplug the crossover cable, terminate the operation and rate the service.

Below illustrates how the SmartLink system works.



\* During the remote diagnosis, please do not disconnect the vehicle and the network (the network broadband of 100Mb and above is recommended). In addition, a SmartLink C dongle can only receive one remote diagnosis operation at a time.

\* When doing SmartLink diagnosis, the network delay will be displayed on the screen of the dongle. There are three states of network delay: green, yellow and red, which indicate that the network is normal, not stable and the delay is serious respectively. It is recommended that the diagnosis operation be performed when the network delay is green. Otherwise, the communication with the vehicle may fail or the incorrect system detection may occur.



## 制作要求：

纸张要求：原始文档为A3大小（宽：297mm 高：420mm），按1:1输出。

装订方式：对折。折后尺寸为：A4大小（宽：297mm 高：210mm）

印刷要求：黑白，80g铜版纸